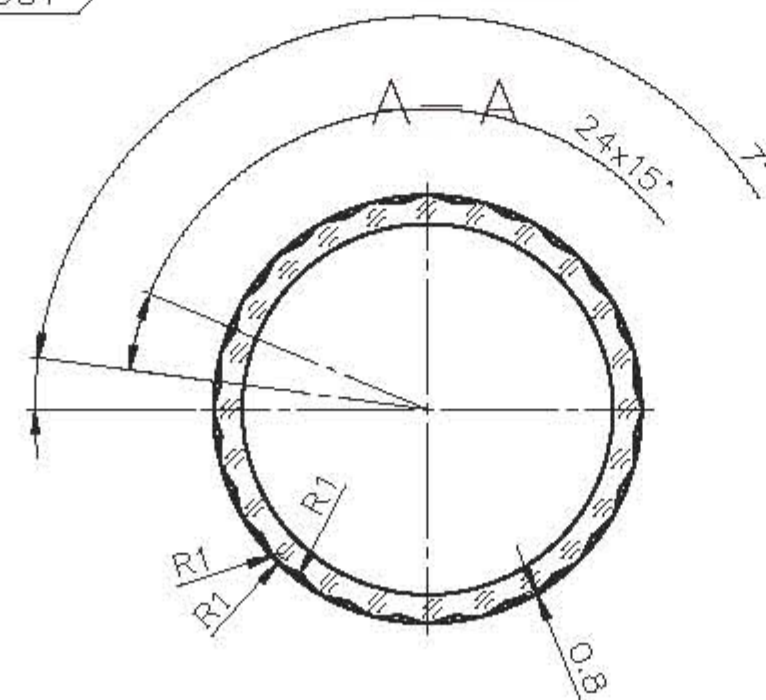
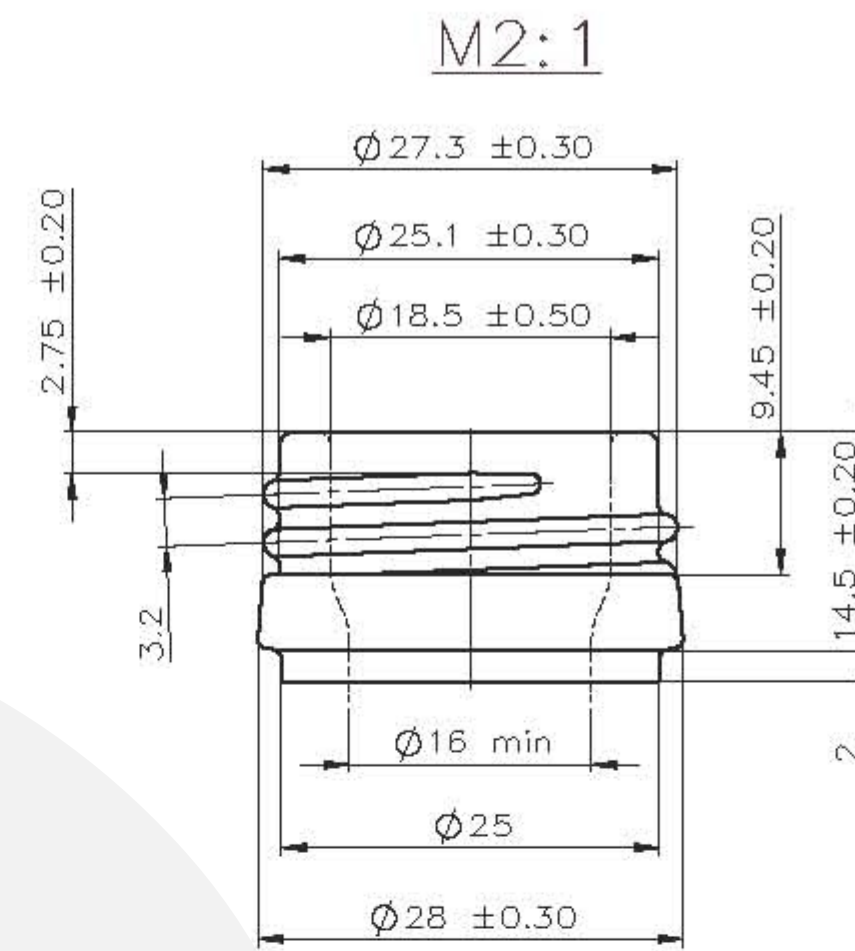
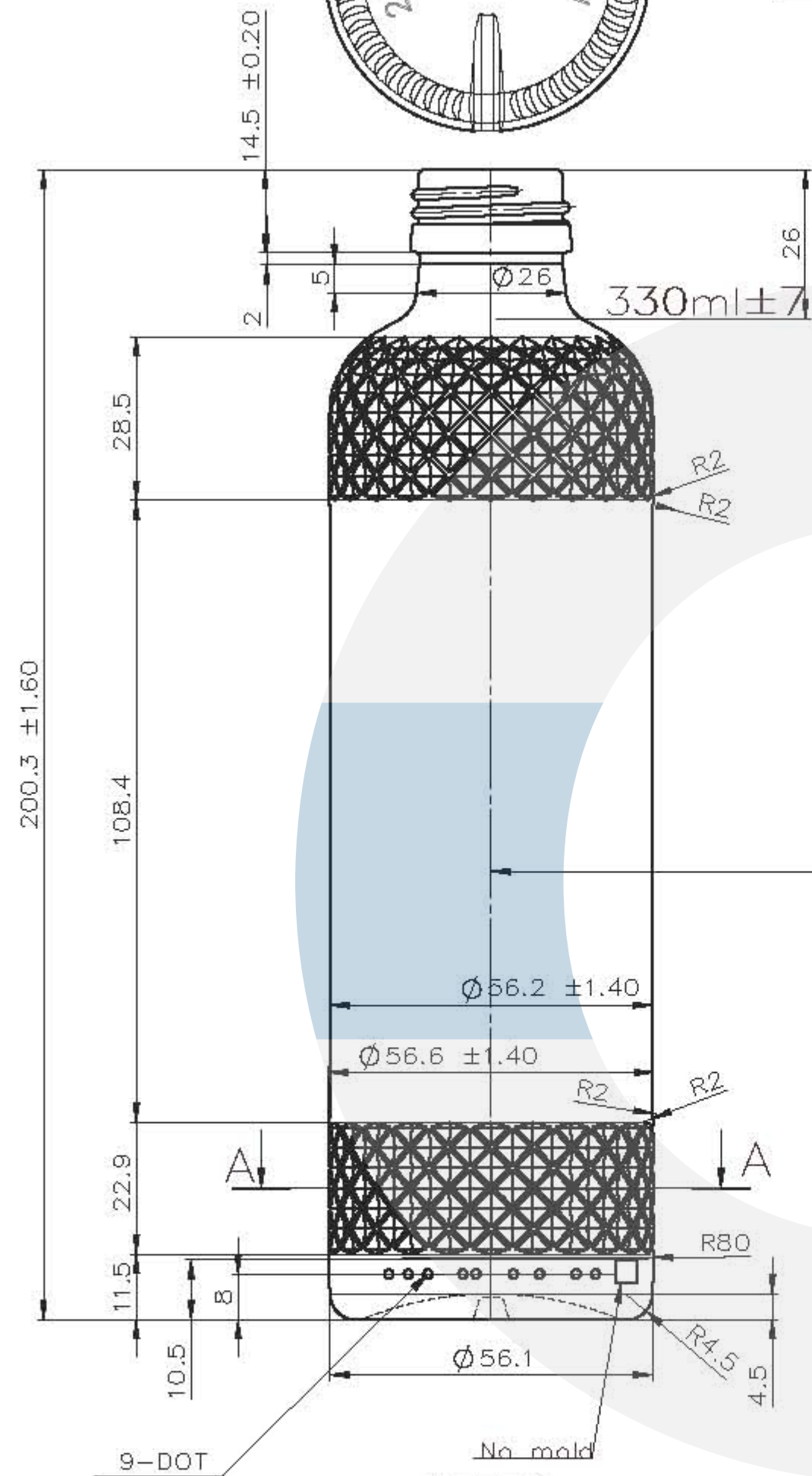


STIPPLES: 57pcs.

NOMINAL CAPACITY  
HEIGHT 5mm  
DEPTH 0.4mm

FACTORY LOGO  
HEIGHT 6mm  
DEPTH 0.4mm



All copyrights are reserved. This technical document should not be disclosed to third parties without the permission of					
1	Epsilon symbol and fill level added on bottom			NOMINAL CAPACITY	330 ml
2				BRIMFUL CAPACITY	336 +/- 10 ml
3				WEIGHT	240 +/- 10 g
4				FINISH	MCA 28
----REVISIONS----				COLOR	FLINT
				CARBONATION	-
				CUSTOMER	
SCALE	PRODUCT NAME:	BOTTLE JUICE 330ml.			
	ИЗДЕЛИЕ:	БУТИЛКА СОК 330ml.			
<b>1:1</b>	DRAWN:		PRODUCT CODE:	DATE	REV. <b>1</b>
	CHECKED:		123901	04.04.2023	